



File Name: combat engineer army manuals.pdf
Size: 4253 KB
Type: PDF, ePub, eBook
Category: Book
Uploaded: 14 May 2019, 18:51 PM
Rating: 4.6/5 from 644 votes.

Status: AVAILABLE

Last checked: 5 Minutes ago!

In order to read or download combat engineer army manuals ebook, you need to create a FREE account.

[**Download Now!**](#)

eBook includes PDF, ePub and Kindle version

[**Register a free 1 month Trial Account.**](#)

[**Download as many books as you like \(Personal use\)**](#)

[**Cancel the membership at any time if not satisfied.**](#)

[**Join Over 80000 Happy Readers**](#)

Book Descriptions:

We have made it easy for you to find a PDF Ebooks without any digging. And by having access to our ebooks online or by storing it on your computer, you have convenient answers with combat engineer army manuals . To get started finding combat engineer army manuals , you are right to find our website which has a comprehensive collection of manuals listed.

Our library is the biggest of these that have literally hundreds of thousands of different products represented.



Book Descriptions:

combat engineer army manuals

**US ARMY
FIELD MANUAL
5-34**

**ENGINEER
FIELD DATA**

**APRIL, 2003
US ARMY**

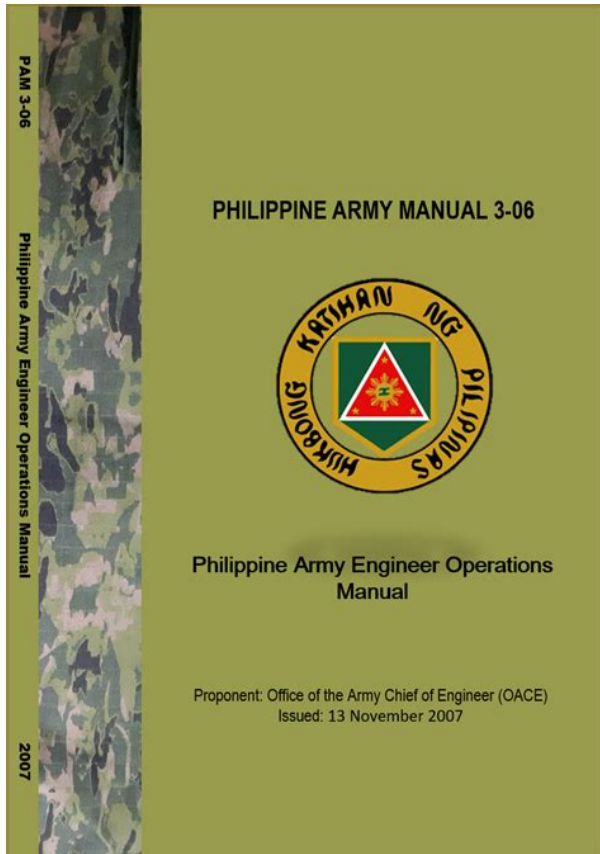
Please try again. Please try again. Offense, Defense, Retrograde Operations, Future Developments. Appendix. Us combat engineer equipment. Organizations. Threat organizations and equipment. Military operations in builtup areas MOUT. River Crossing operations. Operations in special environments. Nuclear biological and chemical NBC Environment. Strongpoint. Communications. Light Infantry operations. Evolving Concepts in Mine Doctrine. Operations security OPSEC Command and control. Index. Then you can start reading Kindle books on your smartphone, tablet, or computer no Kindle device required. Register a free business account To calculate the overall star rating and percentage breakdown by star, we don't use a simple average. Instead, our system considers things like how recent a review is and if the reviewer bought the item on Amazon. It also analyzes reviews to verify trustworthiness. Please try again. Please try again. Then you can start reading Kindle books on your smartphone, tablet, or computer no Kindle device required. In order to navigate out of this carousel please use your heading shortcut key to navigate to the next or previous heading. Register a free business account To calculate the overall star rating and percentage breakdown by star, we don't use a simple average. Instead, our system considers things like how recent a review is and if the reviewer bought the item on Amazon. It also analyzes reviews to verify trustworthiness. Please try again later. donnie 5.0 out of 5 stars In order to navigate out of this carousel please use your heading shortcut key to navigate to the next or previous heading. Page 1 of 1 Start over Page 1 of 1 In order to navigate out of this carousel please use your heading shortcut key to navigate to the next or previous heading. The total number of FMs, however, would be reduced to 50, covering core concepts and the FMs would be limited to a main body text of no more than 200

- **combat engineer field manual, army combat engineer field manual, 1.0, combat engineer field manual, army combat engineer field manual.**

Table 1-1. Characteristics of U.S. Explosives

Name	Applications	Detonation Velocity		RE Factor*	Fume Toxicity	Water Resistance
		M/Sec	Ft/Sec			
Ammonium nitrate	Earthmoving	2,700	8,900	0.42	Dangerous	Poor
PETN	Detonating cord Blasting caps Demolition charges	8,300	27,200	1.68	Slight	Excellent
RDX	Blasting caps Composition explosive	8,350	27,400	1.60	Dangerous	Excellent
TNT	Demolition charge Composition explosive	6,900	22,600	1.00	Dangerous	Excellent
Tetryl	Booster charge Composition explosive	7,100	23,300	1.25	Dangerous	Excellent
Nitroglycerin	Commercial dynamite	7,700	25,200	1.50	Dangerous	Good
Black powder	Time fuse	400	1,300	0.55	Dangerous	Poor
Amatol 80/20	Bursting charge	4,900	16,000	1.17	Dangerous	Poor
Composition A3	Booster charge Bursting charge	8,100	26,500	—	Dangerous	Good
Composition B	Bursting charge	7,800	25,600	1.35	Dangerous	Excellent
Composition C4 (M112)	Cutting charge Breaching charge	8,040	26,400	1.34	Slight	Excellent
Composition H8	Cratering charge	7,100	23,600	1.33	Dangerous	Excellent
Ammonium nitrate	Cratering charge	2,700	8,900	0.42	Dangerous	Poor
Tetryl 75/25	Demolition charge	7,000	23,000	1.20	Dangerous	Excellent
Pentolite 50/50	Booster charge Bursting charge	7,450	24,400	—	Dangerous	Excellent
M1 dynamite	Demolition charge	6,100	20,000	0.92	Dangerous	Fair
Detonating cord	Priming Demolition charge	6,100 to 7,300	20,000 to 24,000	1.66	Slight	Excellent
Sheet explosive (M188)	Cutting charge	7,300	24,000	1.14	Dangerous	Excellent
Bangalore torpedos, M1A2	Demolition charge	7,800	25,600	1.17	Dangerous	Excellent
Shaped charges M2A3, M2A4, and M3A1	Cutting charge	7,800	25,600	1.17	Dangerous	Excellent

All remaining knowledge would be transitioned to a new lowerlevel series of publications, called Army Techniques Publications ATPs. Site maintained by John Pike. I'm combat engineer army manuals a combat engineer. I volunteered combat engineer army manuals for this specific assignment. Army Training Aviation Survival Basic Aviation Carpentry Chaplain Chemical Ops Interrogation Machinists Course Mechanic Music Railroads combat engineer army manuals Welding Army Corps of Engineers ACOE Civil Works Engineer Manuals ACOE Design. We are multiskilled soldiers, combat engineers and tradesmen. We provide essential support to all areas of the British Army in peacetime and on operations. I'm a Combat Engineer with Engineer Support Regiment at Canadian Forces Base Gagetown. Combat engineers work closely with the Infantry and Armoured Corps in deployed operations. Engineers are the first on the ground to set up forward operating bases, where military members live and work to complete the mission at hand. United States Army combat engineers were not properly trained to conduct their mission during World War II. Research of combat engineer training and operations during the interwar period and subsequently in the Pacific, North United States Army Field Manuals are published by the United States Army's Army Publishing Directorate. As of July, some field manuals were in use. They contain detailed information and howtos for procedures When I was a US Army Armor Officer we looked at Combat Engineers as a precious, limited resource. Even a small group could accomplish incredible feats, but you never had enough of them, they never had enough Combat Studies Institute Publications Including Leavenworth Papers U. Leavenworth, Kansas Rangers Selected Combat Operations in World War II, Dr. Michael J. King Leavenworth Papers No. Army Field Manuals GlobalSecurity.org. BRITISH ARMY FIELD MANUALS AND DOCTRINES Box. United States Army Downloads eMilitary Manuals.<http://www.diamond-marketing.cz/soubory/et-905ws-manual.xml>



Army bat Engineer Manuals One on Demand. Army bat Engineer MOS 12B 2020 Career Profile. Canadian Army Reserve Canada ca. Army Field Manuals 6th Corps bat Engineers. 41 bat Engineer Regiment Reserve Unit. Bat Engineers have one of the hardest jobs in the Army. Bat Engineer Canadian Armed Forces. Bat Engineer Defence Careers. Bat Engineer 21B10 field manuals flashcards army. HyperWar U S Army Field Manuals. Army Enlisted Jobs bat Engineer 12 B. Army MINDEF Singapore. For designing military structures and the logistics behind military tactics, see Military engineering. Please help improve it or discuss these issues on the talk page. Learn how and when to remove these template messages Please help by editing the article to make improvements to the overall structure. November 2014 Learn how and when to remove this template message Please help improve this article by adding citations to reliable sources. Unsourced material may be challenged and removed. Combat engineers build fighting positions, fortifications, and roads. They conduct demolitions missions and clear minefields manually or through use of specialized vehicles. Typical combat engineer missions include construction and breaching of trenches, tank traps and other obstacles and fortifications; obstacle emplacement and bunker construction; bridge and road construction or destruction; emplacement and clearance of land mines; and combined arms breaching. In some armies, pioneer and sapper indicate specific military ranks and levels of combat engineers, who work under fire in all seasons and may be allocated to different corps, as they were in the former Soviet Army, or they may be organized in the same corps. Geomatics surveying and cartography is another area of military engineering but is often performed by the combat engineers of some nations and in other cases is a separate responsibility, as was formerly the case in the Australian Army.

Sapper 05 is the basic level, Sapper 06 is the general level, Sapper 08 is the combat engineer commanders level and Sapper 11 is the combat engineer officer level. A saporador de infantaria infantry sapper is a soldier of the infantry branch that has a similar training and that usually serves in the combat support sapper platoon of an infantry battalion. However, the term originally identified those military engineers who supported an army operating in the field as opposed to garrison engineers who built and supported permanent fixed bases. These include the construction of

roads, bridges, field fortifications, obstacles and the construction and running of water points. In these roles, combat engineers use a wide variety of hand and power tools. They are also responsible for construction rigging, the use of explosives, and the carrying out of demolitions, obstacle clearance, and obstacle construction, assault of fortifications, use of assault boats in water obstacle crossings, helipad construction, general construction, route reconnaissance and road reconnaissance, and erecting communication installations. Improving the ability of one's own force to move around the battlefield. Combat engineers typically support this role through reduction of enemy obstacles which include point and row minefields, antitank ditches, wire obstacles, concrete and metal antivehicle barriers, and Improvised Explosive Devices IED and wall and door breaching in urban terrain. Building obstacles to prevent the enemy from moving around the battlefield. Destroying bridges, blocking roads, creating airstrips, digging trenches, etc. Building structures which enable one's own soldiers to survive on the battlefield. For minor defensive locations these may only consist of simple walls and ditches. The design principle is to slow down the advance of attackers to where they can be destroyed by defenders from sheltered positions.

Table 1-1. Characteristics of U.S. Explosives

Name	Applications	Detonation Velocity		RE Factor*	Fume Toxicity	Water Resistance
		M/Sec	Ft/Sec			
Ammonium nitrate	Earthmoving	2,700	8,900	0.42	Dangerous	Poor
PETN	Detonating cord Blasting caps Demolition charges	8,300	27,200	1.66	Slight	Excellent
RDX	Blasting caps Composition explosive	8,350	27,400	1.60	Dangerous	Excellent
TNT	Demolition charge Composition explosive	6,900	22,600	1.00	Dangerous	Excellent
Tetryl	Booster charge Composition explosive	7,100	23,300	1.25	Dangerous	Excellent
Nitroglycerin	Commercial dynamite	7,700	25,200	1.50	Dangerous	Good
Black powder	Time fuse	400	1,300	0.55	Dangerous	Poor
Amstel 8020	Bursting charge	4,900	16,000	1.17	Dangerous	Poor
Composition A3	Booster charge Bursting charge	8,100	26,500	—	Dangerous	Good
Composition B	Bursting charge	7,800	25,600	1.35	Dangerous	Excellent
Composition C4 (M112)	Cutting charge Breaching charge	6,940	22,400	1.34	Slight	Excellent
Composition HB	Cratering charge	7,190	23,600	1.33	Dangerous	Excellent
Ammonium nitrate	Cratering charge	2,700	8,900	0.42	Dangerous	Poor
Tetrytal 7525	Demolition charge	7,000	23,000	1.20	Dangerous	Excellent
Pentolite 5050	Booster charge Bursting charge	7,450	24,400	—	Dangerous	Excellent
M1 dynamite	Demolition charge	6,100	20,000	0.92	Dangerous	Fair
Detonating cord	Firing Demolition charge	6,100 to 7,300	20,000 to 24,000	1.66	Slight	Excellent
Sheet explosive (M188)	Cutting charge	7,300	24,000	1.14	Dangerous	Excellent
Bangalore torpedo, M1A2	Demolition charge	7,800	25,600	1.17	Dangerous	Excellent
Shaped charges M2A3, M2A4, and M2A1	Cutting charge	7,800	25,600	1.17	Dangerous	Excellent

<https://events.citeve.pt/chat-conversation/boss-br-1600-cd-manual-espa-ol>

In many countries, combat engineers are members of broader military engineering corps or branches. However, some nations have distinct combat engineering corps or branches which are separate from other types of military engineers. To increase the effectiveness of these units EOD and mechanic teams are typically embedded with the combat engineer platoon. By using this site, you agree to the Terms of Use and Privacy Policy. This doctrine reduces the effectiveness of barriers, obstacles, infrastructure, and minefields to maintain mobility and momentum in the operating area. Field Manual FM 334.214 is the reference manual for explosives and demolitions procedures that support combat operations, as well as, peacetime training missions requiring demolition the destruction of structures, facilities, or material by use of fire, water, explosives, mechanical, or other means FM 102 applications. It focuses on the demolition systems and material required to accomplish the mission. The doctrine in this manual recognizes the need to address the urban and complex environment. This manual describes in detail the procedures required to assemble and

emplace explosive charges for impartial or complete destruction. This doctrine will assist Army branch schools in teaching the integration of engineer explosive capabilities into Army operations. Engineer involvement is a given for nearly every military operation. The degree of involvement will include one or more of the roles associated with engineers performing demolition missions in support of the maneuver commander. Given the magnitude of the changes in demolition material and the techniques used in recent years, becoming familiar with the information in this document is essential to use explosives effectively to achieve the desired end state. Ill do it No thanks Volume II field engineering. Part I tactics and organization. Pamphlet No. 1 basic field engineering 1968 Volume II field engineering. Part I tactics and organization.

<https://datavoiz.com/images/cara-seting-manual-motorola-gp-2000.pdf>

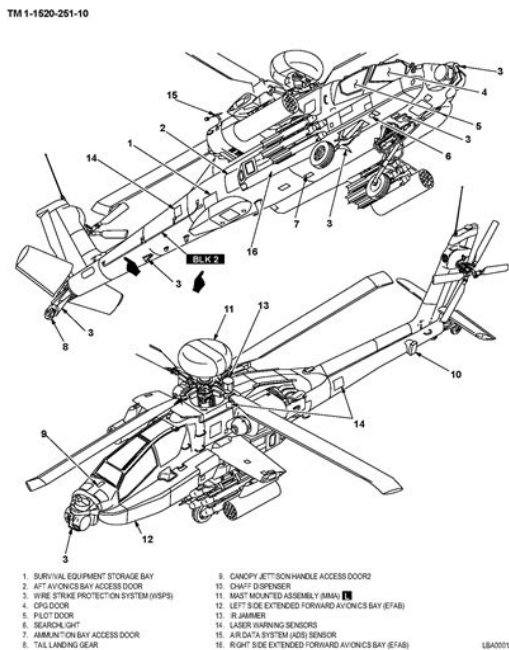


Figure 2-1. General Arrangement (Sheet 1 of 2)

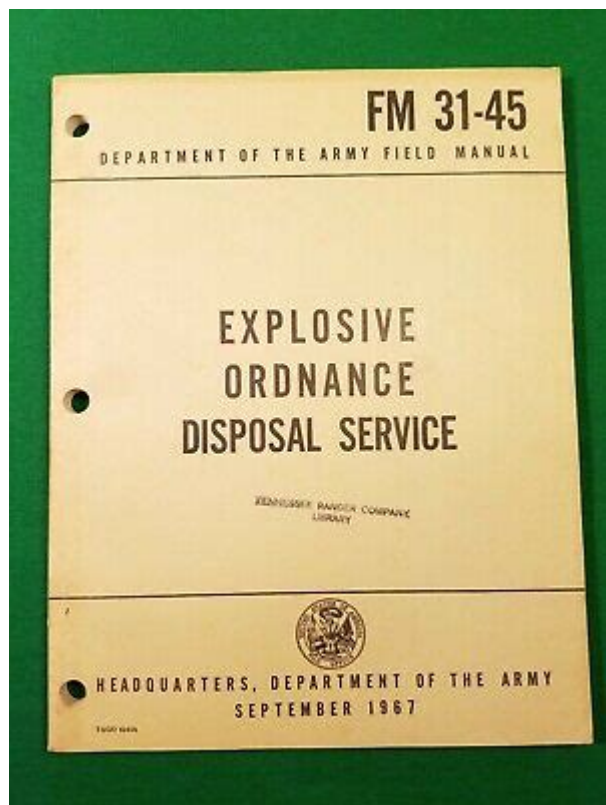
Use or disclosure of this information is subject to the restriction(s) on the title page of this document.

2-2 Change 2

Pamphlet No. 1 basic field engineering 1968 Volume II; field engineering. Part I tactics and organization. Pamphlet no. 4 demolitions, 1972 Volume I tactics and organization. Part I basic field engineering 1968 Volume I tactics and organization. Part 2 field defences, 1968. Combat engineers mission is to supervise or assist team members when tackling rough terrain in combat situations. The combat engineer must exhibit expertise in mobility, countermobility, survival, and general engineering. You will learn to build defenses to protect the troops or destroy obstacles in the way of combat troops movement. When a water crossing is required, bridges can be built or quickly assembled for both troop and vehicle passage. Combat Engineer or Sappers may also be in charge of laying or clearing minefields, as well as building road and airfield construction, and repair. Conduct operations that include route clearance of obstacles and rivers. Prepare and install firing systems for demolition and explosives. Detect mines visually or with mine detectors. Part of this training time is spent in the classroom with the remainder in the field with onthejob instructions. This series of tests assists you in understanding your strengths and identifying which Army jobs are the best fit for you. Recruitment through this program guarantees a job interview with militaryfriendly employers seeking trained veterans to join their companies. Learn more about the Army PaYS Program. And by having access to our ebooks online or by storing it on your computer, you have convenient answers with Combat Engineer Manual. To get started finding Combat Engineer Manual, you are right to find

our website which has a comprehensive collection of manuals listed. Our library is the biggest of these that have literally hundreds of thousands of different products represented. I get my most wanted eBook Many thanks If there is a survey it only takes 5 minutes, try any survey which works for you.

<https://www.jbnature.com/images/cara-sablon-manual-warna-gradasi.pdf>



Some features of WorldCat will not be available. By continuing to use the site, you are agreeing to OCLC's placement of cookies on your device. Find out more here. Numerous and frequently updated resource results are available from this WorldCat.org search. OCLC's WebJunction has pulled together information and resources to assist library staff as they consider how to handle coronavirus issues in their communities. However, formatting rules can vary widely between applications and fields of interest or study. The specific requirements or preferences of your reviewing publisher, classroom teacher, institution or organization should be applied. Please enter recipient email addresses. Please reenter recipient email addresses. Please enter your name. Please enter the subject. Please enter the message. Publisher Fort Leonard Wood, Mo. Headquarters, U.S. Army Training Center Engineer and Fort Leonard Wood, 1980. Please select Ok if you would like to proceed with this request anyway. All rights reserved. You can easily create a free account. Instructors are encouraged to check that site regularly. It also examines the nature and characteristics of ENGRS and their support to forces in UN Missions. Please update or try an alternative browser. Please update your browser or try another if possible. Includes a proficiency test for soldiers in training. The department is a member of the FDLP Content Partnerships Program and an Affiliated Archive of the National Archives. Includes a proficiency test for soldiers in training. We are digitizing the documents alphabetically, starting with the call number A, which includes agricultural documents. By popular demand, the AtoZ Collection also contains vintage War Department field manuals and technical manuals. In addition to materials created during the time period, materials may include modern studies and commemorative works about the era. We are hiring and provide excellent career opportunities.

Please do not hesitate to call or email our recruiter who will be pleased to answer any questions you may have and provide direction on how to apply to our Regiment. Located at The Major E.J.G. Holland VC Armoury, the Regiment is a part of 33 Canadian Brigade Group, a Primary Reserve formation of the Canadian Forces. They are soldiers trained to use specialized tools that allow them to support friendly forces while denying mobility and advantage to the enemy. Using mechanical, manual, hydraulic, electric, and gas powered tools, combat engineers can build bridges, observation posts, roads, and various military structures. Whether simply using trees to block enemy road movement or using concertina wire and steel pickets to create barricades, combat engineers must be resourceful and take advantage of any available materials to complete the task required. Combat engineers are the highly trained soldiers who use explosives to destroy things such as enemy ammunition caches, bridges and roads. Also, there are medical, dental and educational benefits available to Army Reservists. August 27, 2020 It was a task he had completed literally thousands of times over his 37year career in the Canadian Army Reserve but this would be different it was the last round he would ever fire. February 7, 2020 In its early years the unit helped Ottawa deal with emergencies and stage public ceremonies. During the World War I, 181 of its members received 26 decorations serving with units of the Canadian Expeditionary Force. The Company spent the war training Engineer officers. A Reserve company remained in Ottawa. InDemand Civilian Jobs How to Apply As a builder, the engineer sergeant can create bridges, buildings, and field fortifications. As a demolitions specialist, the engineer sergeant can carry out demolition raids against enemy targets, such as bridges, railroads, fuel depots, and critical components of infrastructure.

<http://www.rlktechnik.nl/wp-content/plugins/formcraft/file-upload/server/content/files/16283db123e957---bth-088-manual.pdf>

Good eyesight, night vision and physical conditioning are required to reach mission objectives via parachute, land or water. Also required is excellent handeye coordination to detonate or deactivate explosives. Those who want to serve must first take the Armed Services Vocational Aptitude Battery, a series of tests that helps you better understand your strengths and identify which Army jobs are best for you. Learn more about total compensation. Visit Jobs in Demand to see if this job qualifies for an enlistment bonus. Learn more about education benefits. The skills you acquire during your training as a Special Forces engineer sergeant will prepare you for a future civilian career in law enforcement. The extensive leadership training you'll receive will enable you to move directly into practically any civilian management position in the corporate world. The PaYS program is a recruitment option that guarantees a job interview with military friendly employers that are looking for experienced and trained Veterans to join their organization. Find out more about the Army PaYS Program at. They are also relied upon to control and supervise tactical offensive and defensive operations as well as perform various airborne operations. Reach out and we'll help you get there. Tables of Organization and Equipment TOE. Unit Status Reporting. They also have been reviewed to ensure theyThis is a combat supportIt is considered a mobileThis unit will beOperations Officer, Assist the commander in the commandControl unit. Click to view More Click to view More In most instances, the information will be from sources that have not been peer reviewed by scholarly or research communities. Please report cases in which the information is inaccurate through the Contact Us link below. All proceeds from the operation of this site are donated to veteran and other charities. Combat Engineers primarily supervise, serve or assist as a member of a team.

They provide muchneeded combat engineering, such as building roads, constructing bridges or helping our forces to move across foreign land. Agility, balance and the ability to perform strenuous physical activities over long periods of time are a necessity. Your onthejob training primarily consists of manual work in a variety of construction projects that cover the following As an advanced Combat Engineer, you may be involved in Can You Answer Them This site is not connected with any

government agency. If you would like to find more information about benefits offered by the U.S. Department of Veteran Affairs, please visit the official U.S. government web site for veterans benefits at. Our websites do not, and are not intended to, provide a comprehensive list of all schools in the United States or of all schools located in a specific geographic area or of all schools that offer a particular program of study. We strive to provide information on this website that is accurate, complete and timely, but we make no guarantees about the information, the selection of schools, school accreditation status, the availability of or eligibility for financial aid, employment opportunities or education or salary outcomes. Visit here for important information on these topics. Gainful Employment Disclosure For more information about program cost, educational debt, and completion rates of students who attended these programs, visit here. Please upgrade your browser or activate Google Chrome Frame to improve your experience. Maybe try one of the links below or a search.

<http://www.jfvtransports.com/home/content/boss-br-1600-cd-manual-espa-ol>