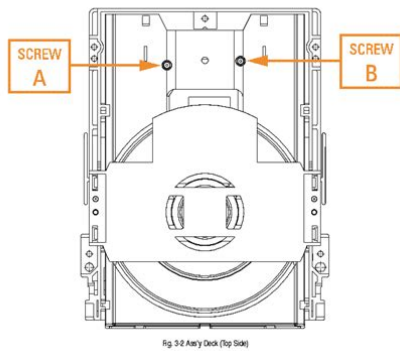


Alignment and Adjustment

## 3-2 Skew Adjustment

### 3-2-1 Adjustment Spec. and Test Point

Test Disc	Adjustment Spec.	Test Point	Adjustment Location
TDV-553 Chapter 14	Flat Waveform	"Rn 29 of RCI" (Main PCB - Component Side) (See Fig. 3-1)	Screw A / B Assy Deck - Top Side (See Fig. 3-2)



32

Samsung Electronics

**File Name:** Dvd-Hd850 Manual.pdf

**Size:** 2069 KB

**Type:** PDF, ePub, eBook

**Category:** Book

**Uploaded:** 24 May 2019, 15:58 PM

**Rating:** 4.6/5 from 739 votes.

**Status:** AVAILABLE

Last checked: 14 Minutes ago!

**In order to read or download Dvd-Hd850 Manual ebook, you need to create a FREE account.**

[Download Now!](#)

eBook includes PDF, ePub and Kindle version

[Register a free 1 month Trial Account.](#)

[Download as many books as you like \(Personal use\)](#)

[Cancel the membership at any time if not satisfied.](#)

[Join Over 80000 Happy Readers](#)

## Book Descriptions:

We have made it easy for you to find a PDF Ebooks without any digging. And by having access to our ebooks online or by storing it on your computer, you have convenient answers with Dvd-Hd850 Manual . To get started finding Dvd-Hd850 Manual , you are right to find our website which has a comprehensive collection of manuals listed.

Our library is the biggest of these that have literally hundreds of thousands of different products represented.



## Book Descriptions:

# Dvd-Hd850 Manual

By continuing to browse the site you are agreeing to our use of cookies. Are you sure to remove this product? We weren't able to find any results. We weren't able to find any results. We're here to help. Select your product from the menus below and we'll show you where your number is. Page Count 61 Safety. Instructions A polarized plug has two blades A grounding type plug has two blades and a third grounding prong. The wide blade or the third prong are provided for your safety. If the provided plug does not fit into your When a cart is used, use caution when moving the Servicing is required when the This symbol indicates important Do not install this equipment in a confined space such as a bookcase or similar unit. WARNING To prevent damage which may result in fire or electric shock hazard, do not expose Attention Pour eviter les chocs électriques, introduire la lame la plus large de la fiche dans la borne This product satisfies FCC regulations when shielded cables and connectors are used to connect the unit to FCC NOTE for U.S.A. This equipment has been tested and found to comply with the limits for a Class B digital device, pursuant to Part 15 of the FCC rules. These limits are designed to provide reasonable protection against harmful This equipment generates, uses and can radiate radio frequency The user is encouraged to try to correct the interference by one or more of the following measures. This class B digital apparatus meets all requirements of the Canadian Interference Causing Equipment Regulations. It cannot be used elsewhere. If the Region number of a DVD disc does not correspond to the Region number of this DVD player, In particular, this product is licensed under the following US patents This license is limited to private noncommercial use by end user consumers for licensed contents. No rights are granted for commercial use. <http://www.aqualog-international.com/upload/dell-e21088-motherboard-manual-pdf.xml>

- **samsung dvd hd850 manual, dvd-hd850 manual.**

The license does not cover any product unit other than this Handling Cautions If this occurs, turn the player off and on again with the POWER button, or disconnect and then reconnect the AC power cord to the AC power outlet. The player will operate normally, Disc Storage. Be careful not to harm the disc because the data on these discs is highly vulnerable to the environment. Maintenance For safety reasons, be sure to disconnect the AC power cord from the AC outlet, Accessories. Remote Control. Batteries for Remote Control Batteries Remote. Users Manual Open the battery Make sure that the Rep!ace the battery If the remote control doesn't operate properly Cable Precautions. General Features. Disc Type and Characteristics. Description. Tour of the Remote Control. Choosing a Connection. Playing a Disc. Using the Search and Skip Functions. Using the Display Function. Using the Disc and Title Menu. Using the Function Menu. Repeat Play. Slow Repeat Play. Functions. Adjusting the Aspect Ratio EZ View. Selecting the Audio Language. Selecting the Subtitle Language. Changing the Camera Angle. Using the Bookmark Function. Using the Zoom Function. Folder Selection. Chapter. Chapter. Picture CD Playback. Menu. Using the Setup Menu. Setting Up the Language Features. Setting Up the Audio Options. Setting Up the Display Options. Setting Up the Parental Control. Controlling a TV with the Remote control. Troubleshooting. Specifications. Warranty. General. Features. Note Excellent. Sound. Dolby Digital, a technology developed by Dolby Laboratories, provides crystal clear sound Screen. Both regular and widescreen 169 pictures can be Slow Motion. An important scene can be viewed in slow motion. Program. Play CD. You can program tracks to play in desired order. Parental. Control Various. On Screen. Menu. Functions Scan. Progressive scanning creates an improved picture Many DVD discs are encoded with copy Connecting to a VCR results in a distorted picture TVs screen size 169 or 43. Digital. Photo. Viewer Repeat. <http://www.ekibbolme.com/userfiles/dell-e2210hc-manual.xml>

You can repeat a song or movie simply by pressing Instant. Replay Instant. Skip DVD. This function skips playback ahead 10 seconds. HDMI High Definition Multimedia. HDMI reduces picture noise by allowing a pure Corporation, and is intended for home and other Reverse engineering or Type Characteristics. This DVD player is capable of playing the following types of discs with the corresponding logos. Disc Types Logos. Recording Types Disc Size. Max Singlesided 240 min. Doublesided 480 min. Singlesided 80 min. Doublesided 160 min. Video Video MPEG2 system. MPEG1 compression technology. Region. Play Region Number. Characteristics. Playing Time Japan, broadcast Dolby Digital disc. Number. Both the DVD player and the discs are The Region Number for this player Stereo disc. Digital Audio disc. DTS disc. MP3 disc. You must only insert one DVD disc at a time. Inserting two or more discs will not allow Description. Front Panel Controls File Type Extension pdf. PDF Version 1.2. Linearized No. Page Count 61. Page Layout Single Page. Page Mode Use None. Producer Goby Monitor Application version 3, 2, 1, 4. Create Date Fri Apr 06 00:31:01 2007. Author. Title. Subject. Use of controls or adjustments Refer servicing to qualified personal. If this occurs, turn the Hold by the edges or The product unit accompanying this user manual is licensed under certain intellectual property This license is limited to private noncommercial use by end user No rights are granted for commercial use. The license does not The license only covers the use of this product unit to Accessories. Remote Control User's Manual. Cable. Install Batteries in the Remote control Make sure that the remote control doesn't operate properly Chapter 1 Setup. Chapter 2 Connections. Chapter 3 Basic Functions. Using the Search and Skip Functions..... 21. Chapter 4 Advanced Functions. Adjusting the Aspect Ratio EZ View..... 29. Chapter 5 Changing Setup Menu. Setting Up the Language Features.....

45. Chapter 6 Reference. Controlling a TV with the Remote control..... 58 General Features. Excellent Sound. An important scene can be viewed in slow motion. Program Play CD. You can program tracks to play in desired order. Parental Control DVD. The parental control allows users to set the level Many DVD discs are encoded with copy Connecting to a VCR results in a distorted picture Progressive Scan. Progressive scanning creates an improved picture TVs screen size 16:9 or 4:3. Digital Photo Viewer JPEG. You can view Digital Photos on your TV. Repeat. You can repeat a song or movie simply by pressing This function is used to replay the previous 10 Instant Skip DVD. This function skips playback ahead 10 seconds. HDMI High Definition Multimedia. HDMI reduces picture noise by allowing a pure This product incorporates copyright protection Corporation, and is intended for home and other Reverse engineering or Disc Type and Characteristics. This DVD player is capable of playing the following types of discs with the corresponding logos. Disc Types Logos. Recording Types Video Video Max. Playing Time Singlesided 240 min. Doublesided 160 min. Disc Markings Region Number. PAL broadcast system in U.K, France, Germany, etc. Dolby Digital disc MPEG2 system. MPEG1 compression technology. Audio. Stereo disc. Both the DVD player and the discs are The Region Number for this player DTS disc. You must only insert one DVD disc at a time. Inserting two or more discs will not allow DivX, DivX Certified, and Inc and are used under Front Panel Controls OPEN The disc tray is open. LOAD Player is loading disc information. Rear Panel MPEG2 or DTS decoder. SVideo jack on your television for higher picture Video in jacks. These jacks provide PR, PB and Y video. Setup Menu, interlaced scan mode will work. TV, HDMI will be output automatically within 10 Output, unplug HDMI cable. Note If Progressive Scan is supported, follow the TV User's Manual regarding Progressive Scan settings in the TV's menu system.

Turns the power on or off. NUMBER Buttons. PROG Button. Allows you to program a specific order. STEP Button. Advances play one frame at a time. Control volume. SEARCH Buttons SKIP Buttons MENU Button. Brings up the DVD player's menu. RETURN Button. Returns to a previous menu. AUDIO Button. Use this button to access various audio functions on a disc. ZOOM Button. Enlarges DVD picture. VIDEO SEL. Button. Selects Video output format. REPEAT AB Button. Allows you to

repeat play AB disc. BOOKMARK Button. TV POWER Button. Turns the TV's power on or off. CLEAR Button. Use to remove menus or status displays from the screen. INSTANT SKIP Button. INSTANT REPLAY Button. This function is used to replay the previous 10 seconds Channel selection. To open and close the disc tray. Displays the current disc mode. DISC MENU Button. Brings up the Disc menu. This button functions as a toggle switch. ANGLE Button. Use to access various camera angles on a DVD. EZ VIEW Button. The aspect ratio of a picture can easily be adjusted HDMI SEL. Button. HDMI or DVI Output resolution setup. REPEAT Button. Allows you to repeat play a title, chapter, track, or disc. SUBTITLE Button. SHUTTLE DIAL Search mode. Performs fast motion play. JOG DIAL Step mode. Operates frame by frame play. In CD mode, Chapter 2 Before Connecting the DVD Player Connecting to a TV SCART SCART IN terminal of your TV. Connection to a TV Video CVBS Video signal from the DVD player appears on the TV screen. Note Please refer to the users manual The following shows examples of connections commonly used to connect the DVD player with a TV Video separates the picture element into black and white YOUT terminal on the rear of the DVD player to the SVIDEO IN terminal of your TV. OUT terminals on the rear of the DVD player to the AUDIO red Turn on the DVD player and TV. You can use the VIDEO SEL. Output mode. See page 11. Note Please refer to the users manual of your TV.

COMPONENT VIDEO OUT terminals on the rear of the DVD OUT terminals on the rear of the DVD player to the AUDIO red Turn on the DVD player and TV. Press the input selector on your TV remote control until the. Component signal from the DVD player appears on the TV Setup menu. See pages 52 to 54. You can use the VIDEO SEL. Output mode. See page 11. Note The number and position of terminals may vary depending on the TV set. Please refer to the users manual of your TV. Component video separates COMPONENT VIDEO OUT terminals on the rear of the DVD OUT terminals on the rear of the DVD player to the AUDIO red Turn on the DVD player and TV. Press the input selector on your TV remote control until the. Component signal from the DVD player appears on the TV You can use the VIDEO SEL. Output mode. See page 11. To see the progressive video output, If Progressive Scan is supported, follow the TV User's Manual regarding Progressive Scan settings Note. Progressive scan has twice as many scanning lines as the interlace output method. Progressive scanning method provides better and clearer picture quality. OUT terminal on the rear of the DVD player to the DVI IN Connections OUT terminals on the rear of the DVD player to the AUDIO Turn on the DVD Connecting to a TV with HDMI Jack HDMI signal from the DVD player appears on your TV screen. HDMI cable. HDMI VIDEO Specifications. When you press the HDMI SEL. The first press of the HDMI SEL. The second press allows you to change the HDMI output resolution. Using HDMI, the DVD player transmits a digital video and audio signal and displays a vivid picture on a TV HDMI connector Both uncompressed video data and digital audio data LPCM or Bit Stream data. However, when playing a DVD, the data transmitted to a TV is digital.

Therefore either a digital to analog converter in the DVD player or an analog to digital During this conversion, the picture quality is degraded due to noise and HDCP Highbandwidth Digital Content Protection is a system for protecting DVD content outputted via. DVI from being copied. It provides a secure digital link between a video source PC, DVD. etc and a OUT terminals on the rear of the DVD player to the AUDIO red Connections COMPONENT or HDMI OUT terminals on the rear of the DVD Turn on the DVD player, TV, and Amplifier. Refer to your Amplifiers user manual to set the Amplifiers Note Sudden loud sound may cause Please refer to the users manual of the Amplifier. AUDIO OUT OPTICAL terminal on the rear of the DVD player If using a coaxial cable not included, connect the DIGITAL. AUDIO OUT COAXIAL terminal on the rear of the DVD player COMPONENT or HDMI OUT terminals on the rear of the DVD Optical Cable Turn on the DVD player, TV, and Amplifier. Dolby digital or. DTS amp Refer to your Amplifiers user manual to set the Amplifiers Note Setup menu. If it is set to Off, sound will not be heard, or there will be a loud sound. Sudden loud sound may cause Please refer to the users manual of the Amplifier. Before

PlayAudio Input. Press. Touche. PulsarPremereDruk opPlaybackThe STANDBY indicatorWhen you stop disc play, the player remembersSTOP button twice.After plugging in the player, the first time you press the DVD POWER button, thisIf the language for the startup screen is not set, the settings may change whenever youTherefore, make sure that you select the language you want toOnce you select a menu language, you can change it by pressing theSELECT MENU LANGUAGE window appears again where you can reset yourPress the STOP buttonNoteScreen stops, no sound.Note. If the player is left for about 5 minutes in pauseEach time the button is pressed or Jog Dial isNo sound is heard during STEP mode.You can only perform step motion play in theNo sound is heard during slow mode.

Reverse slow motion play will not work.Note. This During play, you can search quickly through a chapter or track, and use the skip function to jump toSearching through a Chapter or Track. During play, turn the. SHUTTLE DIAL or pressDuring play, press the SEARCH or buttonSkipping Tracks. During play, press the SKIIf you pressVCD 1.1 or a CD, if you press the SKIP If you pressVCD and you press theNote. When playing VCD 2.0, this function works onlySelect Menu Off by pressingNoteYou can select Info in the function menu byWhen playing VCD 2.0, this function works onlySelect Menu Off byINFO button on the remoteYou may use the number buttons of the remoteTo access the desired title when there is more than one in the disc. For example, if there is more than one movie on a DVD, each movie will be identified. Most DVD discs are recorded in chapters so that you can quickly find a specific passage similar toAllows playback of the film from a desired time. You must enter the starting time as a reference. The time search function does not operate on some discs. Refers to the films soundtrack language. In the example, the soundtrack is played in English 5.1CH. A DVD disc can have up to eight different soundtracks. The MP3, AC3 and WMA are supported.DivX. Refers to the subtitle languages available in the disc. You will be able to choose the subtitle languages or, if you prefer, turn them off from the screen. A DVD disc can have up to 32 different subtitles.File Size has a relationship with resolution of a title. The larger file size is, the higher resolution is displayed. If the file resolution is small, it scales up automatically. So you can see the larger screen.NoteUsing the Disc Menu DVDDVD disc, press the MENUPress ENTER keyNoteMENU button on the remote control.Using the Title Menu DVDDVD disc, press the MENUPress ENTER keyNoteInfo. Zoom. Bookmark.

EZ ViewYou can also directly select these functionsNoteSelect Menu Off byRepeat the current track, chapter, title, a chosen section AB, or all of the disc.Repeat screen appears.OffVCD repeat play by disc or track. Chapter repeats the chapter that isTitle repeats the title that is playing. Disc repeats the disc that is playing. Track repeats the track that is playing. AB repeats a segment of the disc that youUsing the AB Repeat functionB is automatically highlighted.Note. AB REPEAT does not allow you to set point B until at least 5 seconds of playback time hasSelect Menu Off byThis feature allows you slowly to repeat scenes containing sports, dancing, musical instrumentsBasic FunctionsThe disc will play from A to B repeatedly at thePress the REPEAT buttonB is automaticallyENTER button at the pointNote. When playing VCD 2.0, this function works onlySelect Menu Off by pressingUsing the AB Repeat functionProgram Play allows you to select the order in which you want tracks to play.PROG button.Press the ENTER button.Press the ENTER button. The selection numbersOrder box.The disc will be played inRandom Play CD. Random Play plays a discs tracks in random order.Press the ENTER button.Play functions may not work.Random Play.To play back using aspect ratio DVD. Press the EZ VIEWSetup menu.VIEW button, you shouldSetup menu.If you are using a 169 TV. For 43 aspect ratio discsDisplays the content of the DVD title in 169 aspect ratio. The picture will look horizontally stretched.The picture willThe picture will look vertically stretched.When a 43 DVD is viewed on a 169 TV, black bars willFunctions. For 169 aspect ratio discsFor 169 aspect ratio discs. The black bars will appear at the top and bottom of theDisplays the content of the DVD title in 43 aspect ratio.The left and right portions of the screen are cut off and theThe picture will look vertically stretched.The picture will look vertically stretched.Note.

This function may behave differently depending on the type of disc. You can select a desired audio language quickly and easily with the AUDIO button. The audio changes when Stereo, Right or Left. Stereo Functions RETURN button. Note "Audio Language" on page 47. You can select a desired subtitle quickly and easily with the SUBTITLE button. The subtitle changes when The subtitle languages are RETURN button. Note "DISC MENU" button. DVDs. Refer to "Using the Subtitle Language" on page When a DVD contains multiple angles of a particular scene, you can use the ANGLE Using the ANGLE button DVD. If the disc contains multiple angles, the ANGLE appears on the screen. CLEAR or RETURN Note. If the disc has only one angle, this feature won't Using the Instant Replay function DVD. If you miss a scene, you can see it again using this function. Press the INSTANT REPLAY button. Using the Instant Skip function DVD. Use this function to skip playback about 10 seconds ahead of the current scene. Press the INSTANT SKIP Note. Depending on the disc, these functions may not Functions This feature lets you bookmark sections of a DVD or VCD Menu Off mode so you can quickly find BOOKMARK button on the Using the MENU button. During play, press the MENU Info. EZ View Info. EZ View Up to three scenes may Note Select Menu Off by BOOKMARK button on Advanced. Functions. Clearing a Bookmark BOOKMARK button on Using the MENU button. During play or pause mode, Info. EZ View Press the ENTER button. During DVD play, press ENTER to zoom in. During VCD play, press ENTER to zoom in. Note. When playing VCD 2.0, this function works only Select Menu Off by pressing They are similar to how you use your Open the disc tray. Place the disc on the tray. Close the tray. The tray closes and this Off Current Folder Advanced. Functions The folder can only be selected in the Stop mode. Press the RETURN button to go to the parent folder, Root Current Folder SubFolders Place the disc on the tray. Off Press ENTER to begin Off To resume normal play, press the CLEAR button.

WMA files, only one type will play, not ISO 9660 format and Joliet MP3 or WMA files are Apples Mac. This format is the most widely used. Sound quality with WMA files basically depends on the rate Conversely, files with decompression rates below 64Kbps These files are of the following Inc and SDMI TM registered trade mark of The SDMI. Foundation. You cannot copy such files. Sound quality with MP3 files basically depends on the rate Kbps or more, only rarely give better sound quality. Conversely, files with decompression rates below 128 Kbps The above recommendations cannot be taken as a You should note that CDRs prevent optimal playback of these files on your DVD Functions General name format Title.mp3. or Title.wma. When MPEG4 Play Function. AVI files are used to contain the audio and video data. Only AVI format files with the Place the disc on the tray. Off ENTER button. Off There are 4 modes, such as a distance between Function. During play, press the During play, press the SERACH Search Allows you to search at a. Slow Motion slower speed in an AVI file. Play. Each time the STEP button. Step Motion is pressed, a new frame will. Play Skip Reference page Qpel and GMC are This unit supports all resolutions up to maximum below. DivX5. Bitrate may fluctuate. Device may skip decoding Note That is why Codec Type, Version and Higher resolution over specification is not supported. Functions Off ENTER button. ENTER button. Album Screen. Slide Show Rotation Zoom Press the ENTER button. Each time the ENTER Note If there is a blank segment in the multisession disc, the disc can Advanced. Functions The Setup menu lets you customize your DVD player by allowing you to select various language Setup. Language Setup Audio Setup Display Setup Parental Setup DivX Registration Language Setup Setup of the Language. Audio Setup Setup of the Audio Options. Display Setup Setup of the Display Options. Use to select which type of screen you want to Allows users to set the level necessary to prevent Video On Demand format.

ENTER button to access Note. Depending on the disc, some Setup menu If you set the player menu, disc menu, audio and subtitle language in advance, they will come up Using the Player Menu Language Setup. Language Setup Audio Setup Display Setup Parental Setup DivX Registration Language Setup Audio Setup Display Setup Parental Setup DivX Registration ENTER button. Setup Disc Menu Audio Subtitle DivX Subtitle English MENU button. Deutsch. Italiano.

NederlandsSetup MenuThis function changes the text language only on the disc menu  
screens.Setup. SetupDisc MenuAudioSubtitleDivX SubtitleDisc MenuDeutsch.