

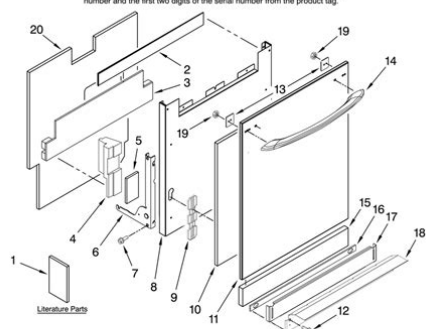
Dishwasher Manual Maytag

DOOR AND PANEL PARTS

For Models: MDB8951BW0, MDB8951BW1, MDB8951BW2, MDB8951BW3
(Black) (White) (Bisque) (Stainless)

MAYTAG

The model(s) number shown may be different than what is printed on the model level tag of your product. The number(s) shown combine the model number and the first two digits of the serial number from the product tag.



Illus. No.	Part No.	DESCRIPTION	Illus. No.	Part No.	DESCRIPTION	Illus. No.	Part No.	DESCRIPTION
1		Literature Parts	9	99003095	Anchor, Panel	15	99002414	Insulation, Toe Panel
1	W1015812	Instructions, Installation	10	99003093	Pad, Foam	16	99002694	Black, Damper, Toe Panel
2	W1015789	Energy Guide	11	99003090	Panel, Front	17	99002698	White, Panel, Toe
3	99002692	Insulation, Door		99003338	Stainless		99002760	Black, Panel, Toe (Includes Item 16)
4	99003048	Block, Foam	12	W1015249	Black, Screw		99002766	White, Panel, Toe
5	99003045	Left, Bracket, Hinge		912366	Black, Screw	18	99002767	Bisque, Support, Front
6	99003049	Right, Bracket, Hinge	13	W10167659	Plate, Handle		99002859	Black, Support, Front
7	W1011833	Right, Support, Inner Door	14	W10114980	Black, Handle, Door	19	99003688	White, Nut
8	99003094	Support, Inner Door		W10114981	White, Handle, Door	20	99003044	Insulation, Door
				W10114992	Stainless, Handle, Door			

FOR ORDERING INFORMATION REFER TO PARTS PRICE LIST
11-11 Litho In U.S.A. (CRE) (bay) Part No. W10251400 Rev. A

File Name: Dishwasher Manual Maytag.pdf

Size: 2550 KB

Type: PDF, ePub, eBook

Category: Book

Uploaded: 20 May 2019, 12:29 PM

Rating: 4.6/5 from 758 votes.

Status: AVAILABLE

Last checked: 3 Minutes ago!

In order to read or download Dishwasher Manual Maytag ebook, you need to create a FREE account.

[Download Now!](#)

eBook includes PDF, ePub and Kindle version

[Register a free 1 month Trial Account.](#)

[Download as many books as you like \(Personal use\)](#)

[Cancel the membership at any time if not satisfied.](#)

[Join Over 80000 Happy Readers](#)

Book Descriptions:

We have made it easy for you to find a PDF Ebooks without any digging. And by having access to our ebooks online or by storing it on your computer, you have convenient answers with Dishwasher Manual Maytag . To get started finding Dishwasher Manual Maytag , you are right to find our website which has a comprehensive collection of manuals listed.

Our library is the biggest of these that have literally hundreds of thousands of different products represented.



Book Descriptions:

Dishwasher Manual Maytag

Please try again in a bit. Please provide a US ZIP code. Use the button below to find your country's KitchenAid website. Your account allows you to track order history and provides for faster, easier purchasing and customer assistance. Once your account is created, you will be returned to checkout to complete your purchase. Link Example Your account allows you to track order history and provides for faster, easier purchasing and customer assistance. Once your account is created, you will be returned to checkout to complete your purchase. For more information about our privacy practices and a list of affiliated brands, please read our Privacy Notice. Need accessories, rebates, a service appointment or replacement parts. We can help with that too. Maytag offers a number of solutions so you can get back to running your home. Find more product information at our Owner Center. Need accessories, rebates, a service appointment or replacement parts. We can help with that too. Maytag offers a number of solutions so you can get back to running your home. Find more product information at our Owner Center. You can withdraw your consent at any time. All gathered information is governed by our Privacy Notice. For more information and a list of brands, click here or Contact Us. MSRP is the Manufacturer's Suggested Retail Price and may not necessarily be the price at which the product is sold in the consumer's area. Hold times are long. Join Repair Clinics VIP email list for 10% off, plus other discounts and tips. We've got millions of parts, hundreds of brands, and thousands of step-by-step videos— everything you need to find it, fix it and finish the job right. If you should experience a problem not covered in TROUBLESHOOTING, please visit our website at www.maytag.com for additional information. If you still need assistance, call us at 18006889900. In Canada, visit our website at www.maytag.ca or call us at 18008076777. <http://akkoryazilim.com/userfiles/canon-bjc-1000-manual.xml>

- **dishwasher manual maytag, maytag dishwasher manual quiet series 300, maytag dishwasher manual quiet series 200, maytag dishwasher manual mdb4949shz, maytag dishwasher manual mdb4949sdz, maytag dishwasher manual mdb8959sfz4, maytag dishwasher manual mdb4949sdz0, maytag dishwasher manual 577-1, maytag dishwasher manual reset, maytag dishwasher manual drain, dishwasher manual maytag, dishwasher manual maytag troubleshooting, dishwasher manual maytag manual, dishwasher manual maytag parts, dishwasher manual maytag washer, dishwasher manual maytag dryer, dishwasher manual maytag problems, dishwasher manual maytag refrigerator, dishwasher manual maytag machine, maytag dishwasher manual, w10866978 maytag dishwasher manual, w10834758 maytag dishwasher manual, w10834947 maytag dishwasher manual, pdb3600awe maytag dishwasher manual, pdb2600awe maytag dishwasher manual, maytag dishwasher parts manual.**

You will need your model and serial number located near the door on the righthand or lefthand side of the dishwasher interior. Para obtener acceso a "Instrucciones para el usuario de la lavavajillas" en español, o para información adicional de su producto visite www.maytag.com Tenga listo su número de modelo completo. Puede encontrar su número de modelo y de serie en la etiqueta ubicada cerca de la puerta al lado derecho o izquierdo del interior de la lavavajillas. Dishwasher Safety DISHWASHER USER INSTRUCTIONS Table of Contents DISHWASHER SAFETY. 1 QUICK STEPS. 3 DISHWASHER USE. 3 CYCLE AND OPTION DESCRIPTIONS. 5 DISHWASHER FEATURES. 7 DISHWASHER CARE. 8 TROUBLESHOOTING. 9 WARRANTY. 11 You can be killed or seriously injured if you don't immediately You can be killed or seriously injured if you don't follow All safety messages will tell you what the potential hazard is, tell you how to reduce the chance of injury, and

tell you what can happen if the instructions are not followed. Your safety and the safety of others are very important. We have provided many important safety messages in this manual and on your appliance. Always read and obey all safety messages. This is the safety alert symbol. This symbol alerts you to potential hazards that can kill or hurt you and others. All safety messages will follow the safety alert symbol and either the word "DANGER" or "WARNING." These words mean follow instructions. If you should experience a problem not covered in. Page 2 IMPORTANT SAFETY INSTRUCTIONS Page 3 UTILISATION DU LAVEVAISSELLE Quick Steps Page 5 DESCRIPTIONS DES PROGRAMMES ET OPTIONS Cycle and Option Descriptions. This information covers several different models. Your dishwasher may not have all the cycles and. Page 6 OPTION SELECTIONS Page 7 CARACTERISTIQUES DU LAVEVAISSELLE Dishwasher Features Page 8 ENTRETIEN DU LAVEVAISSELLE To remove the rack push tab rack stop. Removable Upper Rack 1. Roll the rack to of. <http://fcimoveis.com/imgs/canon-bjc-2000-service-manual.xml>

Page 9 DEPANNAGE Troubleshooting Page 12 W10199658A Si vous rencontrez un probleme. Page 14 IMPORTANTES INSTRUCTIONS DE SECURITE Page 15 Etapes rapides Page 17 Descriptions des programmes et options. Ces renseignements couvrent plusieurs modeles differents. Votre lavevaisselle peut ne pas comporter tous les. Page 18 SELECTIONS Page 19 STATUT Le lavevaisselle commence. Page 20 Paniers superieurs réglables Panier superieur amovible. Le panier superieur réglable peut etre souleve ou abaisse pour Le panier amovible permet. Page 21 Depannage Page 24 Si vous residez a l'exterieur du Canada et des 50 Etats des Etats Unis, contactez votre marchand Maytag autorise pour determiner. The se can be locate d near the door on the righ t hand or lefthand side of the dis hwasher interio r. Your safety and the safety of others are very important. We have provided many important safety messages in this manual and on your appliance. Always read and obey all safety messages. This is the safety alert symbol. This symbol alerts you to potential hazards that can kill or hurt you and others. All safety messages will follow the safety alert symbol and either the word "DANGER" or "WARNING." These words mean follow instructions. Ask your question here. Provide a clear and comprehensive description of the issue and your question. The more detail you provide for your issue and question, the easier it will be for other Maytag MDB4949SDH owners to properly answer your question. Ask a question What could be the cause Does this dishwasher have a filter I can clean. If so how do I remove it from the dishwasher Thanks I removed all the padding that I could see but I cant get the top rack to pull out. This manual comes under the category Dishwashers and has been rated by 1 people with an average of a 9.6. This manual is available in the following languages English, French, Spanish. Do you have a question about the Maytag MDB4949SDH or do you need help.

Ask your question here Maytag MDB4949SDH specifications It is recommended to follow the advice on the packaging. It opens when you turn the knob on the compartment. The softening salt can then be poured into the compartment by means of a funnel. ManualSearcher.com ensures that you will find the manual you are looking for in no time. Our database contains more than 1 million PDF manuals from more than 10,000 brands. Every day we add the latest manuals so that you will always find the product you are looking for. Its very simple just type the brand name and the type of product in the search bar and you can instantly view the manual of your choice online for free. ManualSearcher. com If you continue to use this site we will assume that you are happy with it. Read more Ok. User Guide Dishwasher OPERATING YOUR DISHWASHER 1. Prepare and load dishwasher IMPORTANT Remove leftover food, bones, toothpicks and other hard items from dishes. This will improve cleaning and drying results. Quality tablets and packs have been proven better than powder, liquid, or gel detergents at reducing filming on dishes. Using tablets and packs over time will start to reduce or eliminate white film. They are suitable for all water hardness and soil levels. Also, by using a rinse aid, you can minimize repeat buildup of white film not all packs and tablets contain rinse aid. Always place premeasured detergents in main compartment and close lid. NOTE Follow instructions on the package when using other dishwasher detergent types. Maytag

Dishwashers Cafe CDT866P4MW2 Matte Collection Series 24 Inch B. Viking FDRB5302R 30 Inch Built In Counter Depth Al. Miele H68802BPBRWS M Touch Series 30 Inch Electric. Viking Professional 7 Series VFI7240W 24" Full. Cafe CDT866P4MW2 Matte Collection Series 24 Inch B. Hours of Operation. MonFri 8 a.m. 8 p.m. EST Twitter Fan Page Website Correct it, if wrong.

<http://www.familyreunionapp.com/family/events/boss-fc-50-midi-foot-controller-manual>

<https://pazayac.com/images/Dish-Receiver-322-Manual.pdf>

<https://cottonsauction.com/images/Dish-Tv-Dv3S-Manual.pdf>

<https://www.thebiketube.com/acros-boss-fender-deluxe-reverb-pedal-manual>